

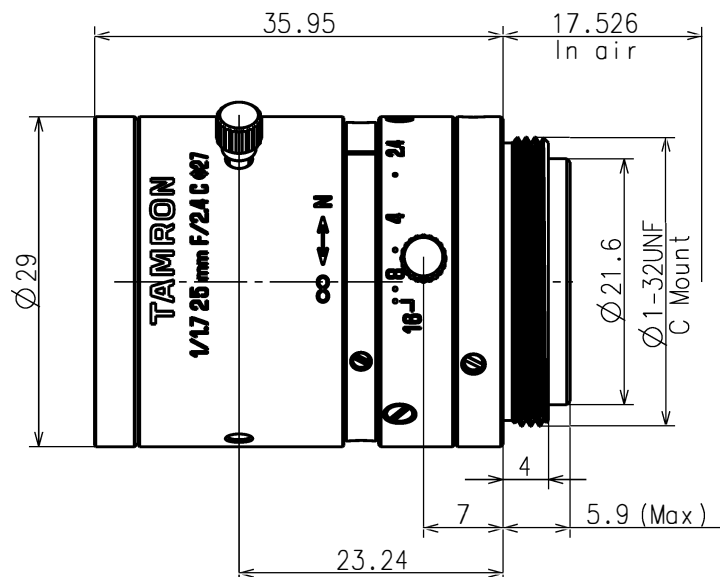
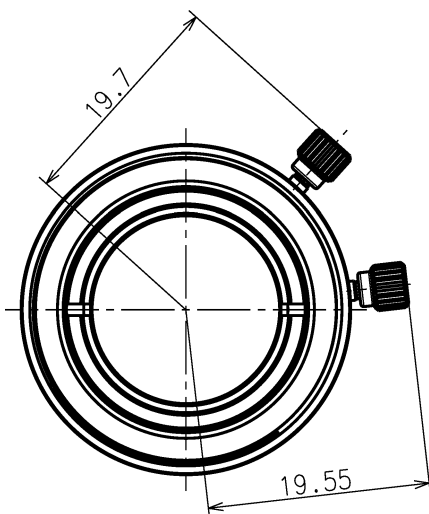
M117FM25

Imager Size		1/1.7"
Mount Type		C
Focal Length		25 mm
Aperture Range		F/2.4 ~ F/16
Field of View Angle (Horizontal x Vertical)	1/1.7"	17.4° × 13.1°
	1/1.8"	17.1° × 11.5°
	1/2"	14.8° × 11.2°
	1/3"	11.2° × 8.4°
Focus Range		0.1 m ~ ∞ (Recommended Shooting Distance 0.3m)
Operation	Focus	Manual w/lock
	IRIS	Manual w/lock
Filter Size		M27 P=0.5
Wave Length		Visible Light
TV Distortion		-0.1% (*)
Weight		45 g
Operating Temperature		-20°C ~ +60°C

Drawing

* 設計値/Design Value

Focus rotation angle: 92.34 deg
Iris rotation angle: 60.73 deg



Specification and design subject to change without any notice.