

TG10Z0513FCS

VARI FOCAL 10X 5~50mm F1.3

for 1/3"format cameras

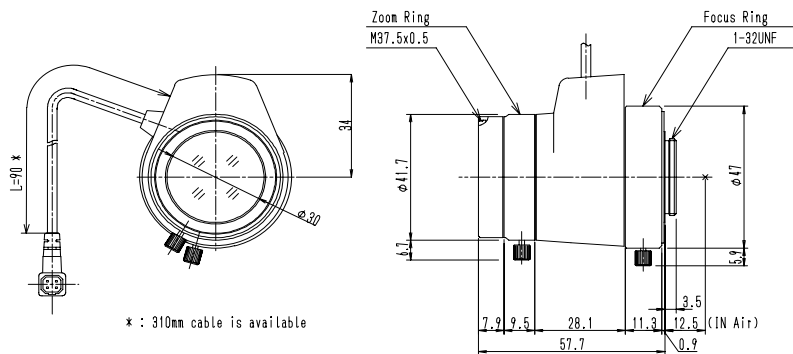
CS-Mount

with Focus, w/o Amplifier

Model No.	TG10Z0513FCS		Effective	Front	φ29.5mm	1/3
Focal Length	5 ~ 50mm		Lens Aperture	Rear	φ 8.7mm	
Max. Aperture Ratio	1 : 1.3		Back Focal Length	Tele	10.6mm	CS
Max. Image Format	4.8 x 3.6mm (φ6mm)			Wide	10.5mm	
Operation Range	Iris	F1.3 ~ 360	Flange Back Length		12.5mm	
	Focus	0.8m ~ Inf.	Mount		CS-Mount	
	Zoom	5 ~ 50 mm	Filter Size		M37.5 P=0.5mm	
Control	Iris	Auto Iris	Dimensions		φ41.7 x 57.5 x 57.7mm	AG
	Focus	Manual	Weight		140g	
	Zoom	Manual				
Object Dimension at M.O.D.	5 mm	77.7 × 57cm				AG
	50 mm	7.8 × 6.0cm				
Angle of View	D	64~6.9°	1/4"	48.8~5.3°		
	H	51.8~5.6°		39.2~4.3°		
	V	39.2~4.3°		29.5~3.2°		
Coil	Drive	190 ohm				AG
	Control	1000 ohm				
Operating Temperature	-20 ~ +50°C					

Dimensions

M.O.D. : Minimum Object Distance



* : 310mm cable is available

Wiring Diagram



1/3

CS

AG

Z

SP