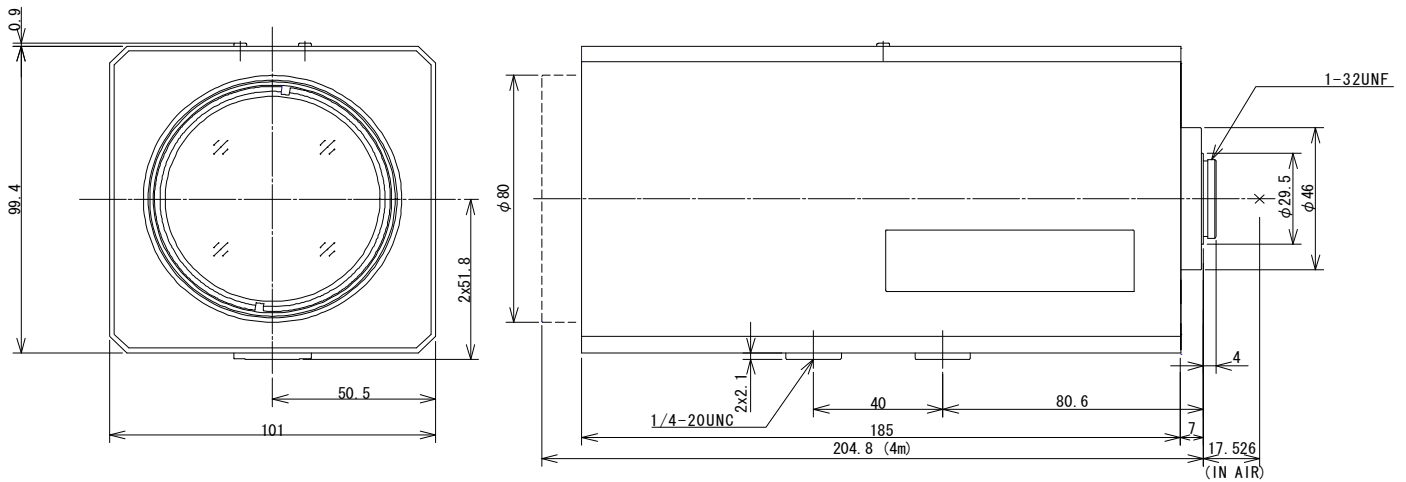


24X 10mm-240mm F1.8 Day & Night
for 1/1.8 type 3 Megapixel Cameras, Motorized Zoom
C-Mount

Model No.	E24Z1018MP-MPIR		Effective	Front	ϕ 66mm		
Focal Length	10mm - 240mm		Lens Aperture	Rear	ϕ 14mm		
Max. Aperture Ratio	1:1.8		Back Focal Length	14.1mm			
Max. Image Circle	ϕ 8.9mm		Flange Back Length	17.526mm			
Operation Range	Iris	F1.8 - F22C	Mount	C-Mount			
	Focus	4m - Inf.	Filter Size	M77 P=1mm			
	Zoom	10mm - 240mm	Tripod Screw	1/4 -20UNC			
Control	Iris	Motorized	Dimensions	W101mm x H102.4mm x D204.8mm			
	Focus	Motorized	Weight	2200g			
	Zoom	Motorized					
Angle of View	D	1/1.8 type	48.4° - 2.2°	1/2 type	43.7° - 2.0°	1/3 type	33.0° - 1.5°
	H	(4:3)	39.0° - 1.7°	(4:3)	35.2° - 1.6°	(4:3)	26.5° - 1.2°
	V		29.5° - 1.3°		26.5° - 1.2°		19.9° - 0.9°
	Iris		Focus		Zoom		
Supply Voltage	DC6V		DC6V	DC6V			
Current	90mA or less		90mA or less	90mA or less			
Response Time	Approx. 4.5 sec.		Approx. 6.5 sec.	Approx. 6.5 sec.			
Preset Potentiometer	_____		5k Ω VR	5k Ω VR			
Operating Temperature	-10°C - +50°C						

Dimensions



Wiring Diagram

PRESET POTENTIOMETER

