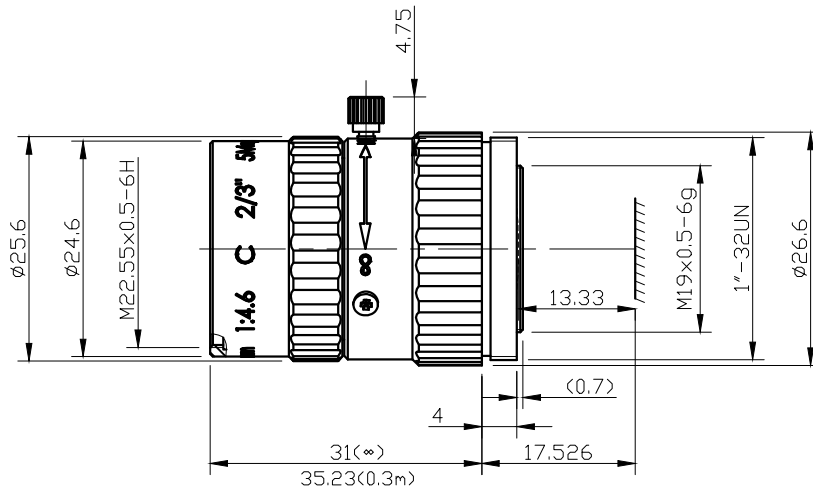


产品技术规格书 (Product Technical Specification)

No.	名称 (Name)	规格 (Specification)	No.	名称 (Name)	规格 (Specification)
1	型号 (Model)	AZURE-IR3546CM5M	14	视场角 F.O.V(DxVxH)	°" 2/3 1/2 1/3
2	物料代码 (Material Code)	3. A01. 03IR354605			D 17.35 12.66 9.52
3	靶面格式 (Image Format)	2/3"			H 13.38 10.15 7.62
4	分辨率 (Resolution)	5MP			V 10.46 7.62 5.72
5	焦距 (Focal Length)	35mm	15	接口 (Mount)	C
6	后截距 (Back Focus)	13.33mm	16	适用物距 (Suitable Distance)	0.3-∞m
7	F值 (F/ No.)	4.6	17	最佳物距 (Optimum Working Distance)	1.17m
8	光圈 (Iris Type)	Fixed	18	镀膜 (Coating)	400nm-950nm
9	畸变 (Distortion)	<-0.011%	19	外形尺寸 (Dimension)	φ 25.6 × 31mm
10	通光口径 (Lens Effective Diameter)	前面 (Front) φ 14.44mm	20	重量 (Weight)	g
		后面 (Back) φ 10.18mm	21	工作温度 (Operating Temperature)	-20°C ~ +65°C
11	相对照度 (Relative Illuminate)	95%	22	镜头组成 (Lens Construction)	7-4
12	光学总长 (TTL)	46.5mm	23	最大主光线入射角 (CRA)	8.29°
13	设计波长 (Design Wavelength)	400~950nm	24	滤镜尺寸 (Filter Thread)	M22.55 × 0.5

Size:



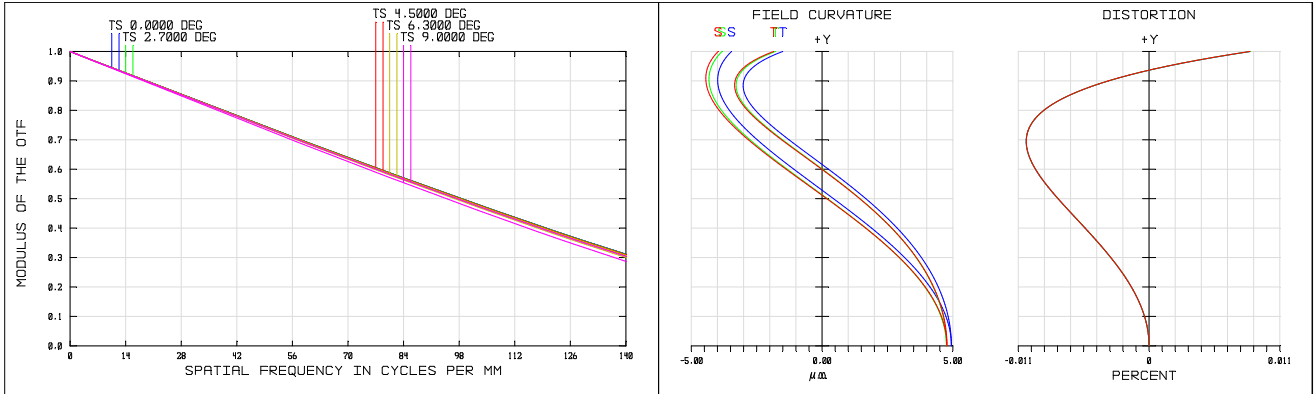
Unit:mm

Draw	Check	Recheck	Approval	福建浩蓝光电有限公司 AZURE Photonics Co.,Ltd

设计结果报告 (Optical Design Report)

1	2	3	4
传递函数图 (MTF)	场曲畸变图 (Field Curvature&Distortion)	相对照度图 (Relative Illumination)	星点图 (Spot Diagram)

WD=1170mm



POLYCHROMATIC DIFFRACTION MTF

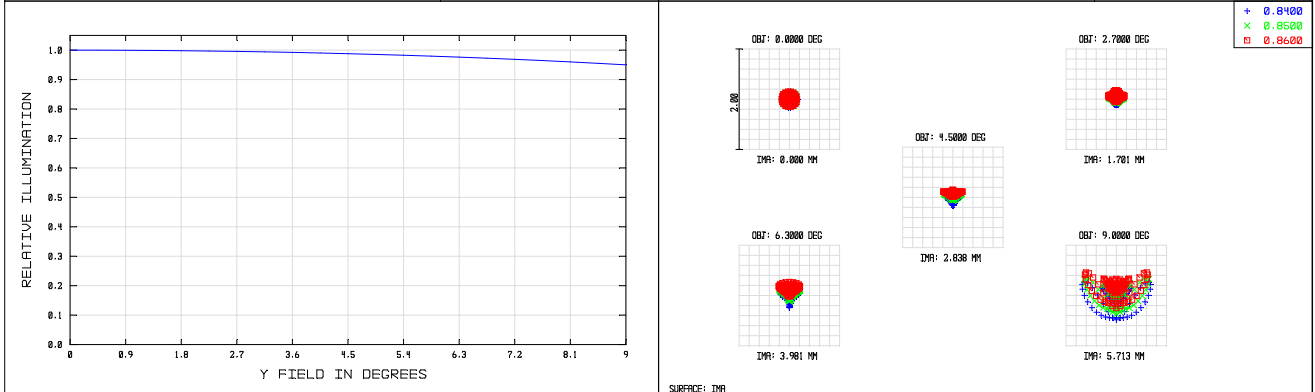
FIELD CURVATURE / F-TAN(THETA) DISTORTION

MON NOV 13 2017
DATA FOR 0.8400 TO 0.8600 μm .
SURFACE: IMAGE

3546 20170509.ZMX
CONFIGURATION 1 OF 1

MON NOV 13 2017
MAXIMUM FIELD IS 9.000 DEGREES
WAVELENGTHS: 0.840 0.850 0.860

3546 20170509.ZMX
CONFIGURATION 1 OF 1



RELATIVE ILLUMINATION

SPOT DIAGRAM

MON NOV 13 2017
WAVELENGTH: 0.850000 μm

3546 20170509.ZMX
CONFIGURATION 1 OF 1

MON NOV 13 2017 UNITS ARE μm .
FIELD : 1 2 3 4 5
RMS RADIUS : 0.107 0.091 0.106 0.142 0.302
GEO RADIUS : 0.163 0.178 0.221 0.287 0.758
SCALE BAR : 2 REFERENCE : CHIEF RAY

3546 20170509.ZMX
CONFIGURATION 1 OF 1