

Xenon-Emerald 2.2/50

Large format 50 mm focal length lens covering up to 43.2 mm image circle, optional with V48-Mount or F-Mount developed for cameras with 29 megapixel sensors.

Distinguish a low distortion for a high optical quality over the entire image field of 43.2 mm ideal for scanning. Usable for VIS range to NIR as needed for web inspection.

The robust and compact housing with lockable focus and iris setting makes this lens ideal for sorting systems in factory environmental.



Xenon-Emerald 2.2/50

Key features

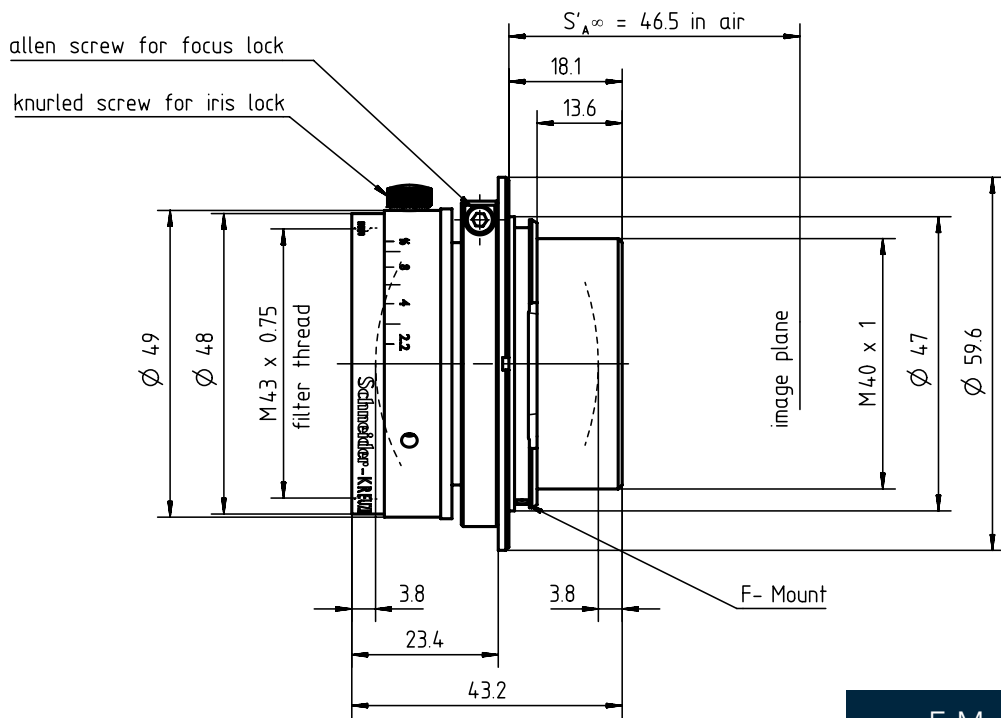
- For large sensors up to 43.2 mm diagonal
- With V48-Mount or F-Mount available
- Lockable focus and iris setting
- 400 nm to 1000 nm broadband AR coating

Applications

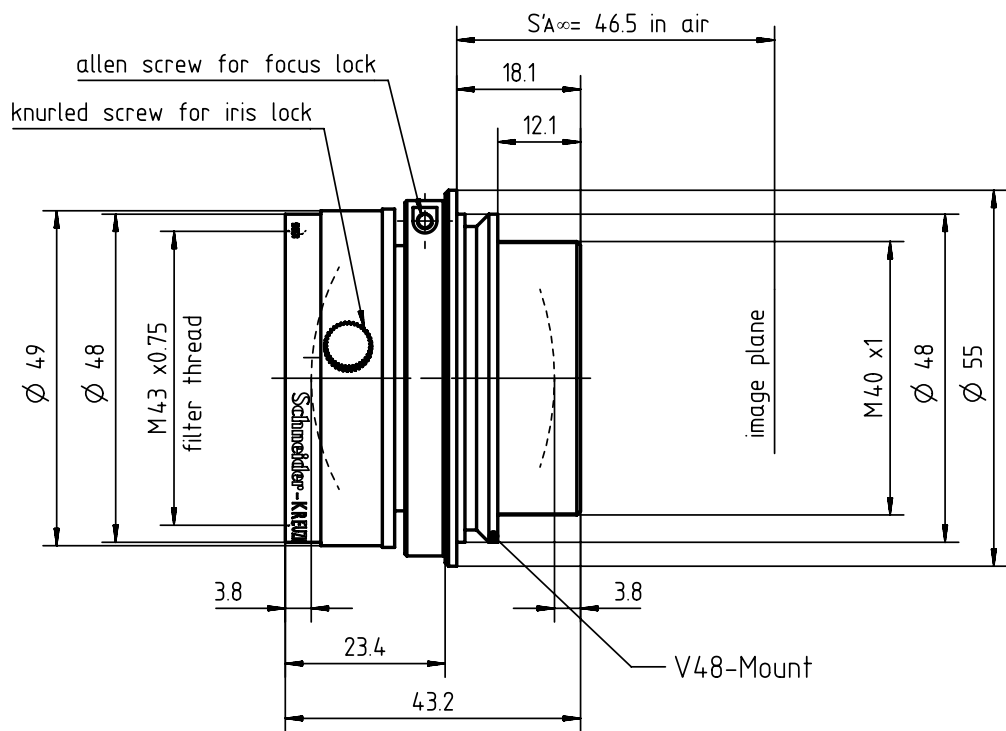
- Web inspection
- Scanner
- Logistic
- Sorting systems

Name	Xenon-Emerald 2.2/50
Type	-0002
Focal Length [mm]	50
Magnification	-0.167
Image circle [mm]	43.2
Resolution [μm]	3.65
F/# range	2.2 ... 16
NA	0.23
Interface	F-Mount
Working distance [mm]	331
AoV [$^\circ$]	46
Focus control	manual
Transmission [nm]	400 - 1000
Filter thread [mm]	M43 x 0.75
Dimensions L x D [mm]	43.2 x 49.0

Name	Xenon-Emerald 2.2/50
Weight [g]	203
Storage temperature [$^\circ\text{C}$]	-25 ... +70
f'_{eff} [mm]	51.21
S_F [mm]	-23.75
S'_F [mm]	32.18
HH' [mm]	-10.90
β'_P	1.074
S_{EP} [mm]	23.94
S'_{AP} [mm]	-22.81
Σd [mm]	35.59
ID	1062672

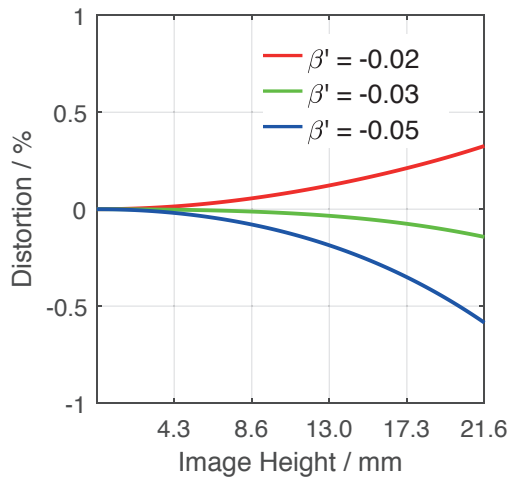


F-Mount

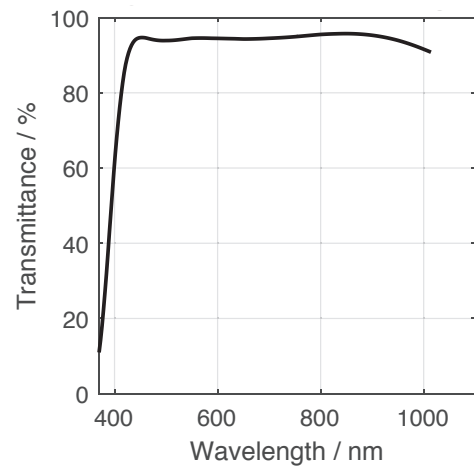


V48-Mount

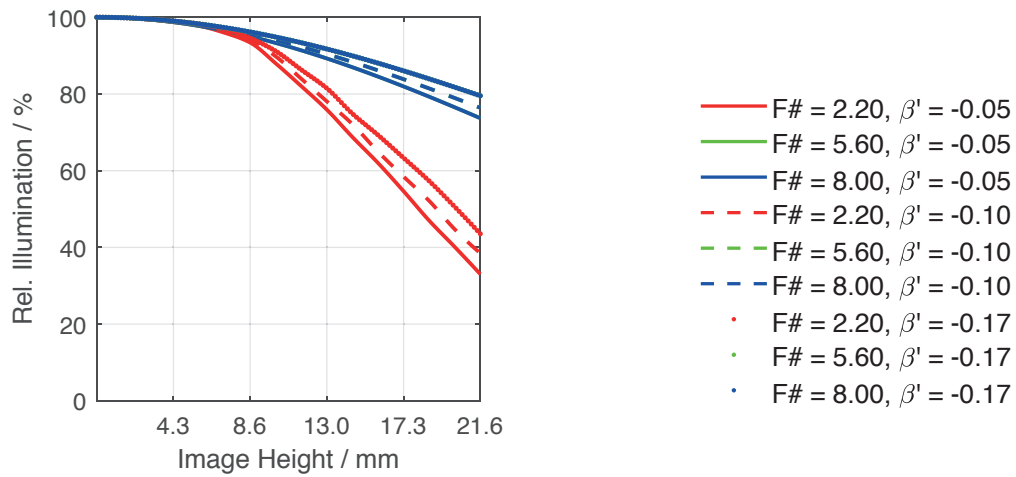
Distortion vs. Image Height



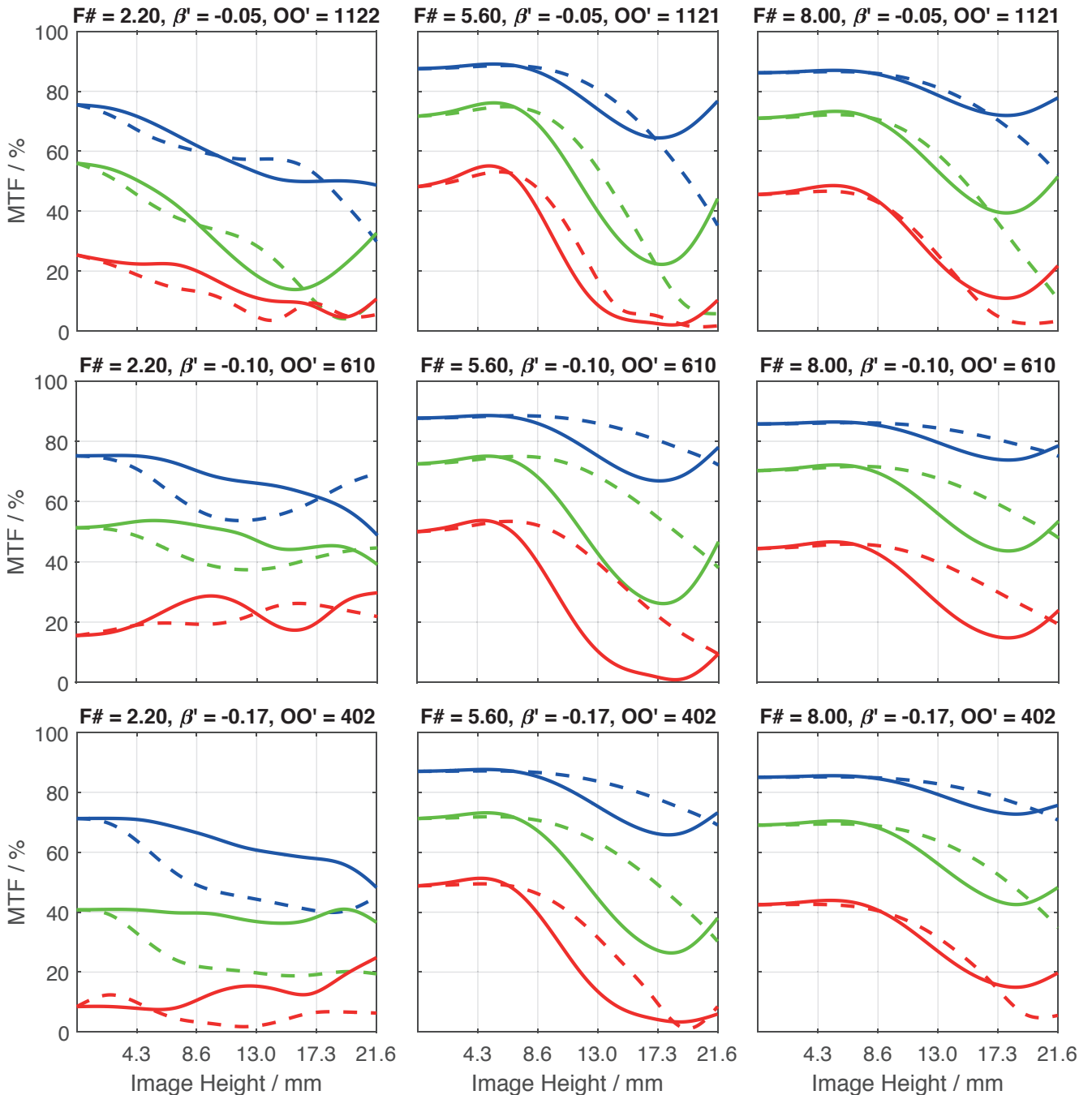
Transmittance vs. Wavelength



Relative Illumination vs. Image Height



Spectrum Name	VIS					
Wavelengths [nm]	425	475	525	575	625	675
Weights	8	16	23	22	19	13



Accessories	Mount	Length	ID
Adapter	V 48 / C-Mount	-	25081
	V 48 / M 42 x 1	-	1075817
	V 48 / M 42 x 0.75	-	1077013
	V 48 / M 58 x 0.75	-	1075556
Ext. Tube	V 48	10 mm	1072661
	V 48	25 mm	1072651
	V 48	50 mm	1072662

Get more information

Contact our local offices



Headquarter Germany

Jos. Schneider Optische Werke GmbH
Ringstraße 132
55543 Bad Kreuznach
☎ +49 671 601 205
✉ cs@schneiderkreuznach.com
www.schneiderkreuznach.com

Offices Worldwide

China

☎ +86 755 8832 1170
✉ shawn.liu@schneider-asiapacific.com

North America

☎ +1 800 645 7239 (East Coast)
☎ +1 800 228 1254 (West Coast)
✉ info@schneideroptics.com

Singapore

☎ +65 9488 0062
✉ thongv@schneiderkreuznach.com