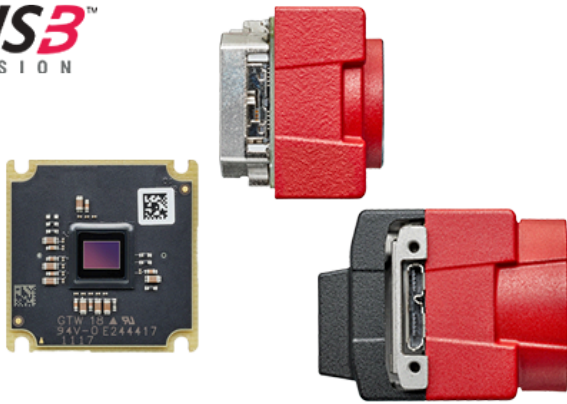


 USB  
VISION

# Alvium

## 1800 U-319

- IMX265 CMOS sensor
- ALVIUM image processing
- USB3 Vision
- Various hardware options

### Model without hardware options

#### Versatile USB camera with IMX265 sensor

Alvium USB cameras are designed for use in both machine vision and embedded applications. Offering high image quality and reducing workload for the host, Alvium enables innovation among system designers. The innovative ALVIUM System on Chip (SoC) performs image corrections and preprocessing tasks onboard the camera instead of the host computer. Unlike FPGAs commonly used in machine vision cameras, the ALVIUM SoC is extremely power efficient. With Alvium, integrating hardware and software can be done effortlessly, which ultimately reduces development time. The Sony IMX265 CMOS sensor enables imaging at 3.2 megapixel and 53 frames per second. Color models ship with an IR cut filter, monochrome and S-Mount models ship without a filter or protection glass.

#### Benefits and features

- Monochrome (1800 U-319m) and color (1800 U-319c) models
- ALVIUM® Technology for on-board image processing
- USB3 Vision interface for GenICam SFNC features
- Platform concept that enables the operation of different Alvium camera models with a common software
- Micro-B USB 3.1 Gen 1 connector with screw locks for industrial applications
- Precise sensor-to-lens mount alignment
- Standard M3 mounting holes for top and bottom mounting, standard M2 mounting holes for front mounting
- Industrial performance for both embedded and machine vision applications



## Hardware options

- Housings: Bare board, open housing, or closed housing
- Various lens mounts: C-Mount, CS-Mount, or S-Mount
- USB connector position: Select between the back panel or the left side of the camera (seen from the sensor side).

For more information on hardware options, including product codes and technical data, such as technical drawings and mass, see the [Alvium Cameras Hardware Options](#) document.

## Available accessories

- Tripod adapter
- USB 3.1 Gen 1 cable with screw connectors in various lengths
- I/O cables in various lengths
- Various lenses and Allied Vision S-Mount lenses with focal lengths 2.97 - 12 mm

## Specifications

<b>Alvium</b>	<b>1800 U-319</b>
Interface	USB3 Vision
Resolution	2064 (H) × 1544 (V)
Spectral range	300 to 1100 nm
Sensor	Sony IMX265
Sensor type	CMOS
Shutter mode	Global shutter
Sensor size	Type 1/1.8
Pixel size	3.45 μm × 3.45 μm
Lens mounts (available)	C-Mount, CS-Mount, S-Mount
Max. frame rate at full resolution	53 fps at ≥200 MByte/s, Mono8
ADC	12 Bit
Image buffer (RAM)	256 KB
Non-volatile memory (Flash)	1024 KB

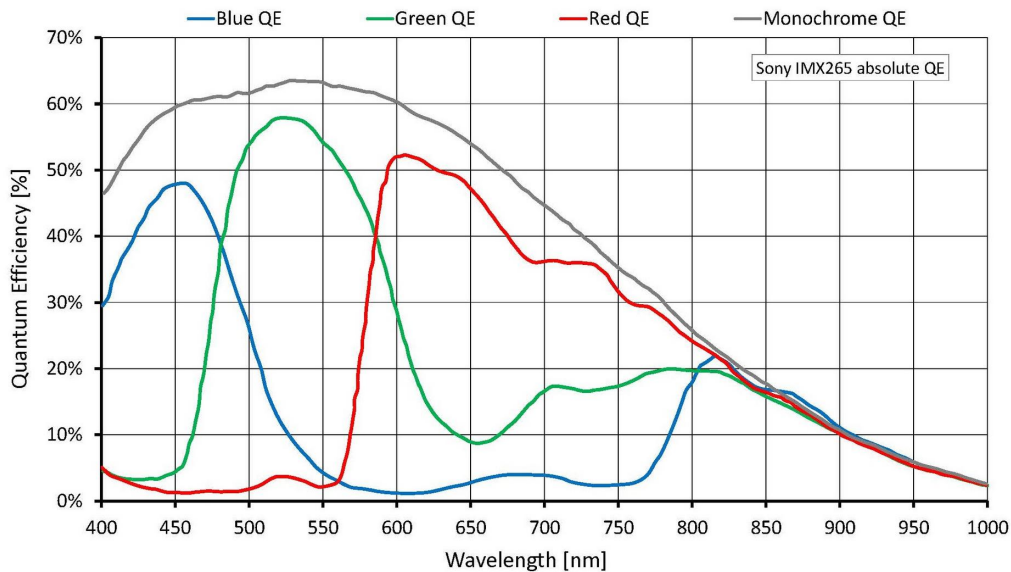
### Imaging performance

Imaging performance data is based on the evaluation methods in the EMVA 1288 Release 3.1 standard for characterization of image sensors and cameras. Measurements are typical values for monochrome models measured without optical filter.

Quantum efficiency at 529 nm	64 %
Temporal dark noise	2.1 e <sup>-</sup>
Saturation capacity	10400 e <sup>-</sup>
Dynamic range	72 dB

<b>Alvium</b>	<b>1800 U-319</b>
Absolute sensitivity threshold	2.7 e <sup>-</sup>
<b>Output</b>	
Bit depth	Max. 12 Bit
Monochrome pixel formats	Mono8, Mono10, Mono12, Mono12p
YUV color pixel formats	YCbCr411_8_CbYYCrYY, YCbCr422_8_CbYCrY, YCbCr8_CbYCr
RGB color pixel formats	BayerGR8, BayerGR10, BayerGR10p, BayerRG12, BayerRG12p, BGR8, RGB8
<b>General purpose inputs/outputs (GPIOs)</b>	
TTL I/Os	4 programmable GPIOs
<b>Operating conditions/dimensions</b>	
Operating temperature	+5 °C to +65 °C housing temperature
Power requirements (DC)	Power over USB 3.1 Gen 1   External power 5.0 V
Power consumption	USB power: 2.2 W (typical)   Ext. power: 2.4 W (typical)
Mass	15 g (bare board)
Body dimensions (L × W × H in mm)	13 × 26 × 26 (bare board, standard), 13 × 30 × 26 (bare board, 90°)
Regulations	2011/65/EU, including amendment 2015/863/EU (RoHS)

## Quantum efficiency





## Features

### Image control

#### Auto control

- Auto exposure
- Auto gain
- Auto white balance
- Auto features regions control
- Auto features algorithms control

#### Other image controls

- Black level
- Contrast
- De-Bayering up to 5×5 (color models)
- DPC (factory calibrated)
- Exposure time
- Gain
- Gamma
- Hue
- Region of interest (ROI)
- Reverse X/Y
- Saturation

### Camera control

- Sync out modes: Trigger ready, input
- Temperature monitoring (sensor board)
- Test image
- LED luminance control
- Firmware update

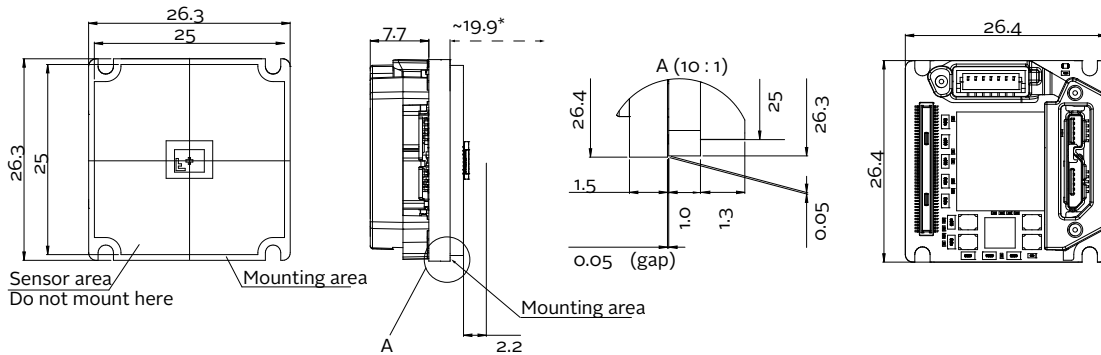
## Technical drawing



### Camera hardware options

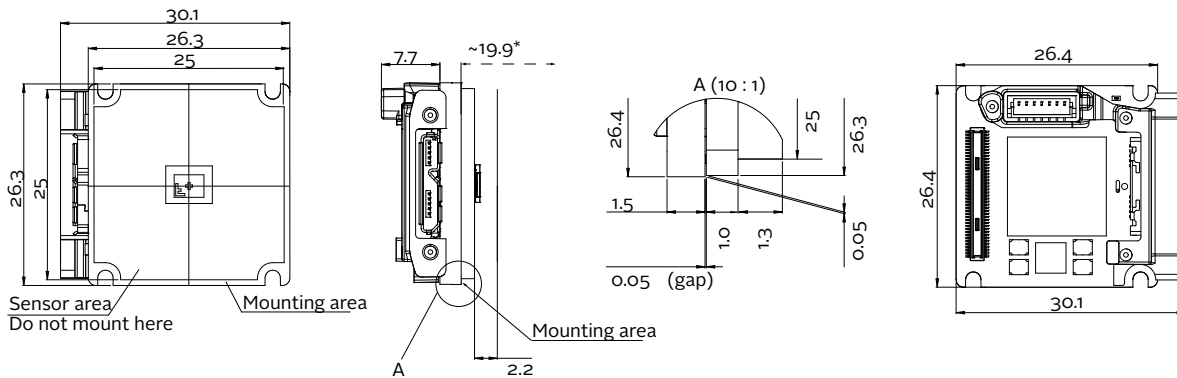
The [Alvium Cameras Hardware Options](#) document informs about submodels, such as bare board or open housing cameras with different lens mounts.

#### Bare Board



\*Mechanical length for C-Mount, for other mounts and details, see the user guide.

#### Bare board 90°



\*Mechanical length for C-Mount, for other mounts and details, see the user guide.