

T2Z1816CS

VARI FOCAL 2X 1.8~3.6mm F1.6

for 1/3" format cameras

CS-Mount

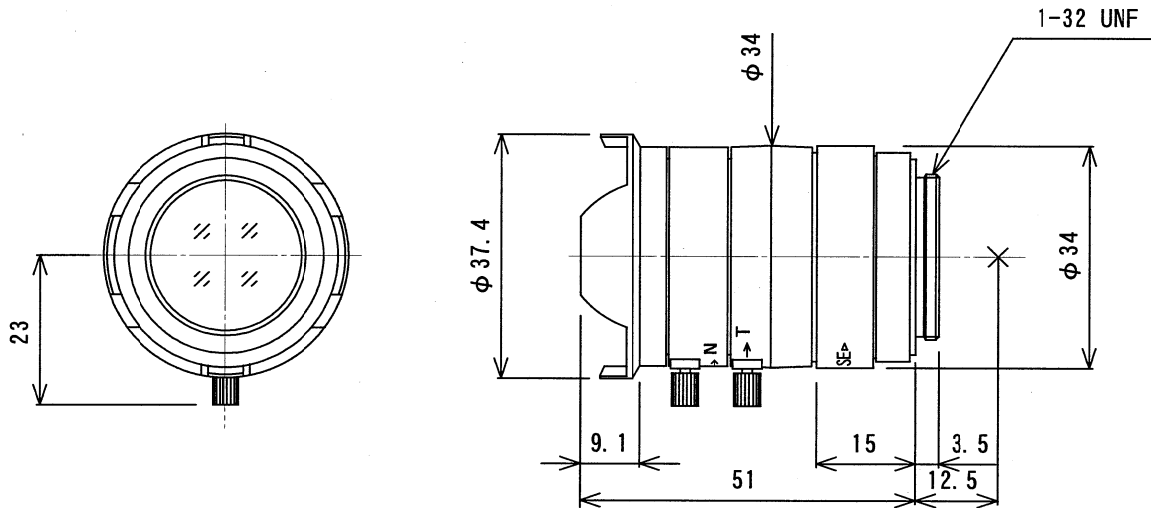
Model No.		T2Z1816CS		Effective Lens Aperture	Front	φ 22.0mm
Focal Length		1.8 ~ 3.6mm			Rear	φ 7.9mm
Max. Aperture Ratio		1 : 1.6		Back Focal Length	Tele	10.5mm
Max. Image Format		4.8 x 3.6mm (φ 6mm)			Wide	7.0mm
Operation Range	Iris	F1.6 ~ C		Flange Back Length		12.5mm
	Focus	0.2m ~ Inf.		Mount		CS-Mount
	Zoom	1.8 ~ 3.6mm		Filter Size		-
Control	Iris	Manual		Dimensions		φ 37.4 x 51.0mm
	Focus	Manual		Weight		68g
	Zoom	Manual				
Object Dimension at M.O.D.	1.8 mm	123.8 × 56.5cm				
	3.6 mm	33.2 × 22.9cm				
Angle of View	D	173.8~99.0°		1/4"	135.8~74.4°	
	H	144.2~79.4°			109.5~59.6°	
	V	109.4~59.6°			82.3~44.7°	
Operating Temperature		-20 ~ +50° C				

1/3

CS

M.O.D. : Minimum Object Distance

Dimensions



Z

SP