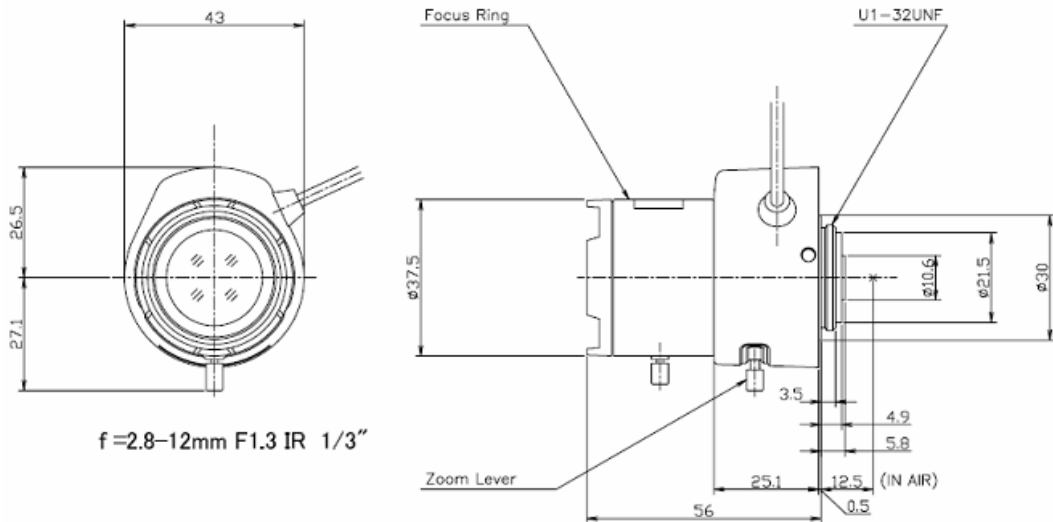


TG4Z2813FCS-IR

4X 2.8mm-12mm F1.3 Day & Night
for 1/3 type Cameras, Vari-focal Auto Iris DC Drive
CS-Mount

Model No.		TG4Z2813FCS-IR		Effective	Front	φ 23.0mm	
Focal Length		2.8mm - 12mm		Lens Aperture	Rear	φ 7.2mm	
Max. Aperture Ratio		1:1.3		Back Forcal	Tele	20.2mm	
Max. Image Format		4.8mm x 3.6mm(φ 6mm)		Length	Wide	8.1mm	
Operation Range	Iris	F1.3 - F360C		Flange Back Length		12.5mm	
	Focus	0.3m - Inf.		Mount		CS-Mount	
	Zoom	2.8mm - 12mm		Filter Size		-	
Control	Iris	DC Auto Iris		Dimensions		φ 37.5mm x 48mm x 56mm	
	Focus	Manual		Weight		71g	
	Zoom	Manual					
Angle of View	D	1/3 type	133° - 29.7°	1/4 type	95.0° - 22.3°		
	H		102.2° - 23.8°		74.2° - 17.8°		
	V		74.2		° - 17.8°		
Coil	Drive	190 Ω					
	Control	855 Ω					
Operating Temperature		-10°C - +50°C					

Dimensions



Wiring Diagram

		Pin No.	
	1	BROWN	Control(-)
	2	RED	Control(+)
	3	YELLOW	Drive (+)
	4	ORANGE	Drive (-)