

Xenon-Emerald 4.0/60

Large format 60 mm focal length lens covering up to 43.2 mm image circle, optional with V48-Mount or F-Mount developed for cameras with 29 megapixel sensors. Distinguish a low distortion for a high optical quality over the entire image field of 43.2 mm ideal for scanning.

Usable for VIS range to NIR as needed for web inspection. The robust and compact housing with lockable focus and iris setting makes this lens ideal for sorting systems in factory environmental.



Xenon-Emerald 4.0/60

Key features

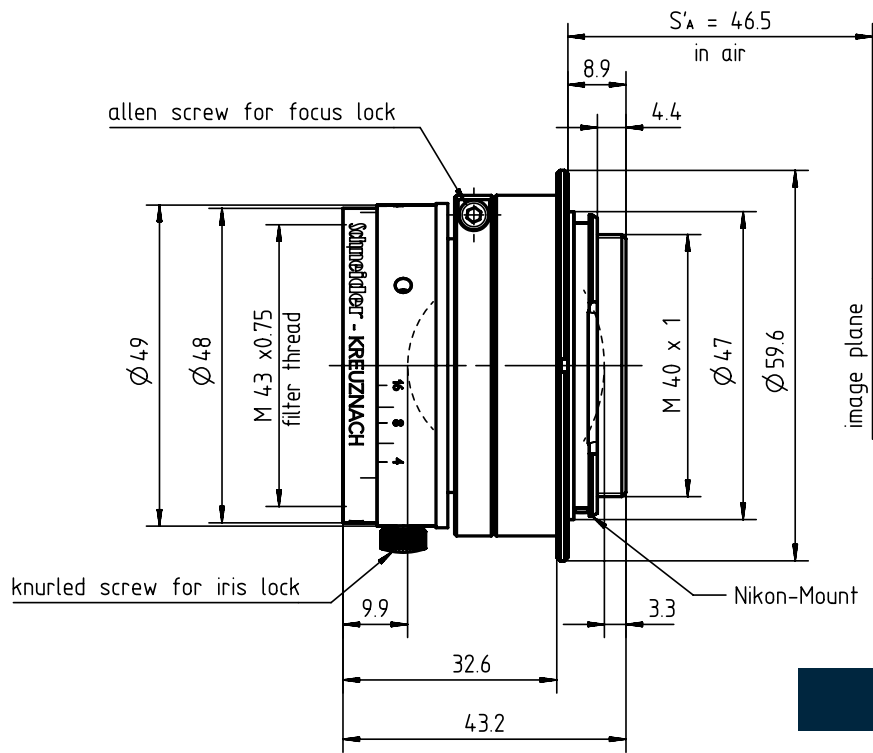
- For large sensors up to 43.2 mm diagonal
- With V48-Mount or F-Mount available
- Lockable focus and iris setting
- 400 nm to 1000 nm broadband AR coating

Applications

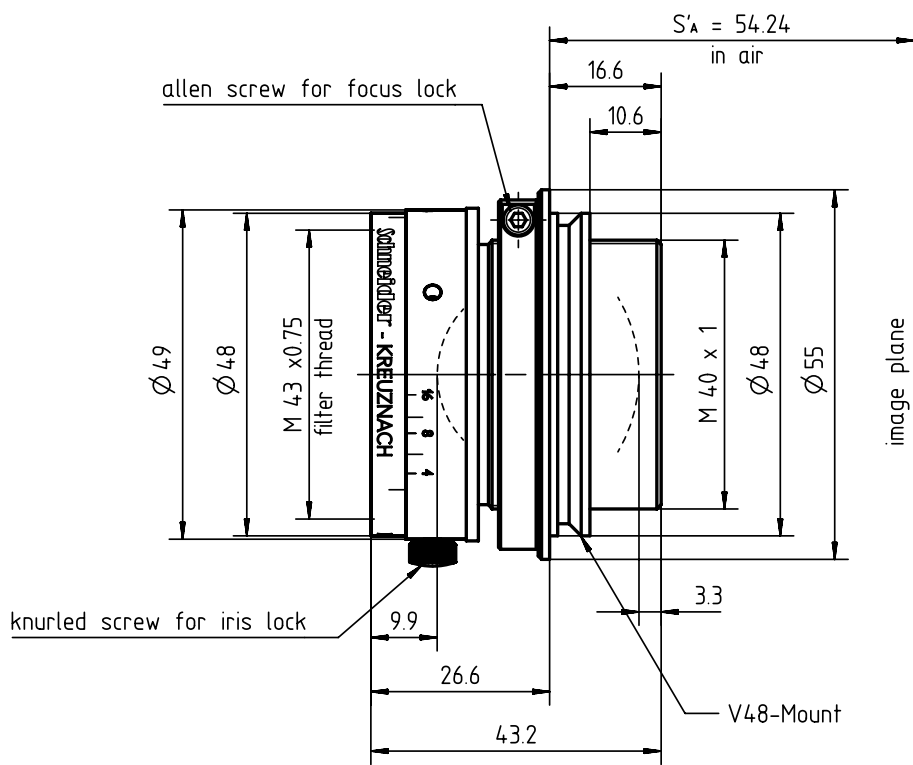
- Web inspection
- Scanner
- Logistic
- Sorting systems

Name	Xenon-Emerald 4.0/60
Type	-0033 -0034
Focal Length [mm]	60
Magnification	-0.1
Image circle [mm]	60
Resolution [μm]	3.65
F/# range	4 ... 16
NA	0.13
Interface	F-Mount V48-Mount
Working distance [mm]	∞ - 643
AoV [$^\circ$]	53
Focus control	manual
Transmission [nm]	400 - 1000
Filter thread [mm]	M43 x 0,75
Dimensions L x D [mm]	43.2 x 59.6

Name	Xenon-Emerald 4.0/60
Weight [g]	280
Storage temperature [$^\circ\text{C}$]	-25 ... +70
f'_{eff} [mm]	60.07
S_F [mm]	-47.23
S'_F [mm]	40.93
HH' [mm]	-1.89
β'_P	0.971
S_{EP} [mm]	14.64
S'_{AP} [mm]	-17.39
Σd [mm]	30.09
ID F-Mount	1085115
ID V48-Mount	1086887

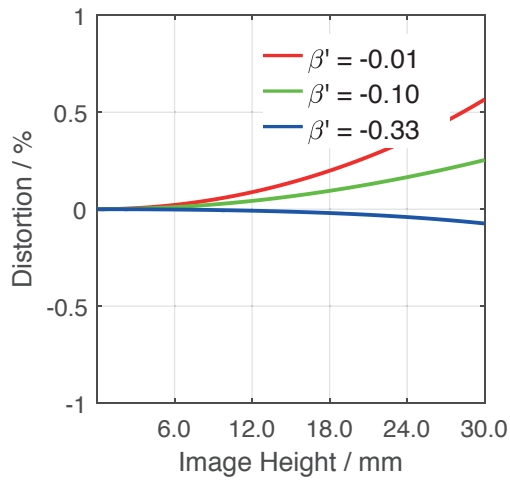


F-Mount

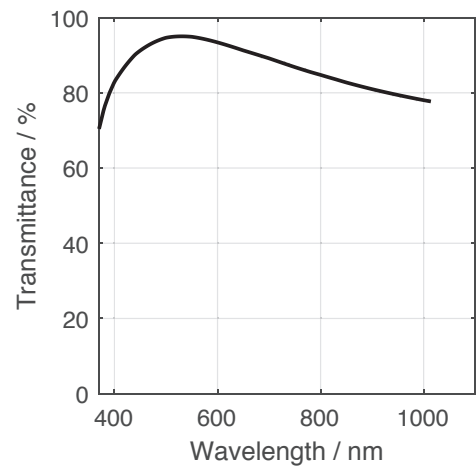


V48-Mount

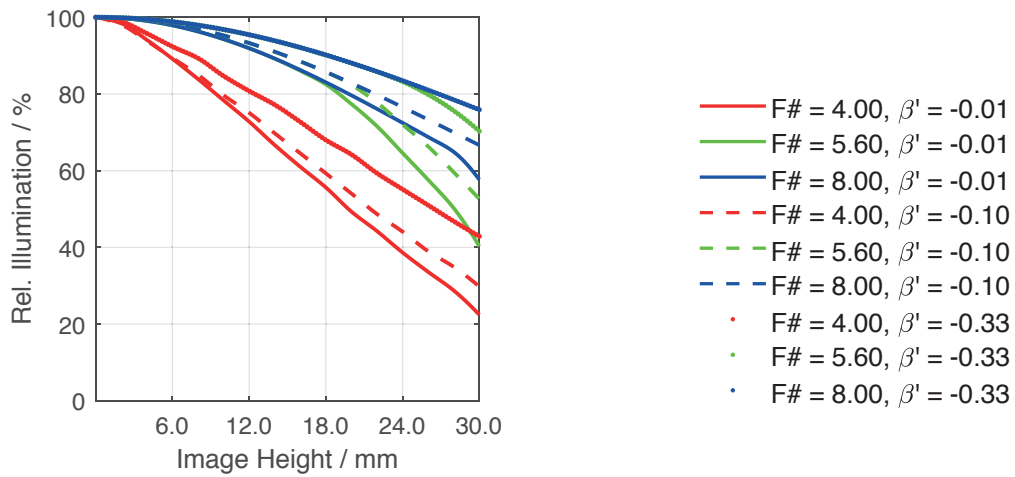
Distortion vs. Image Height



Transmittance vs. Wavelength

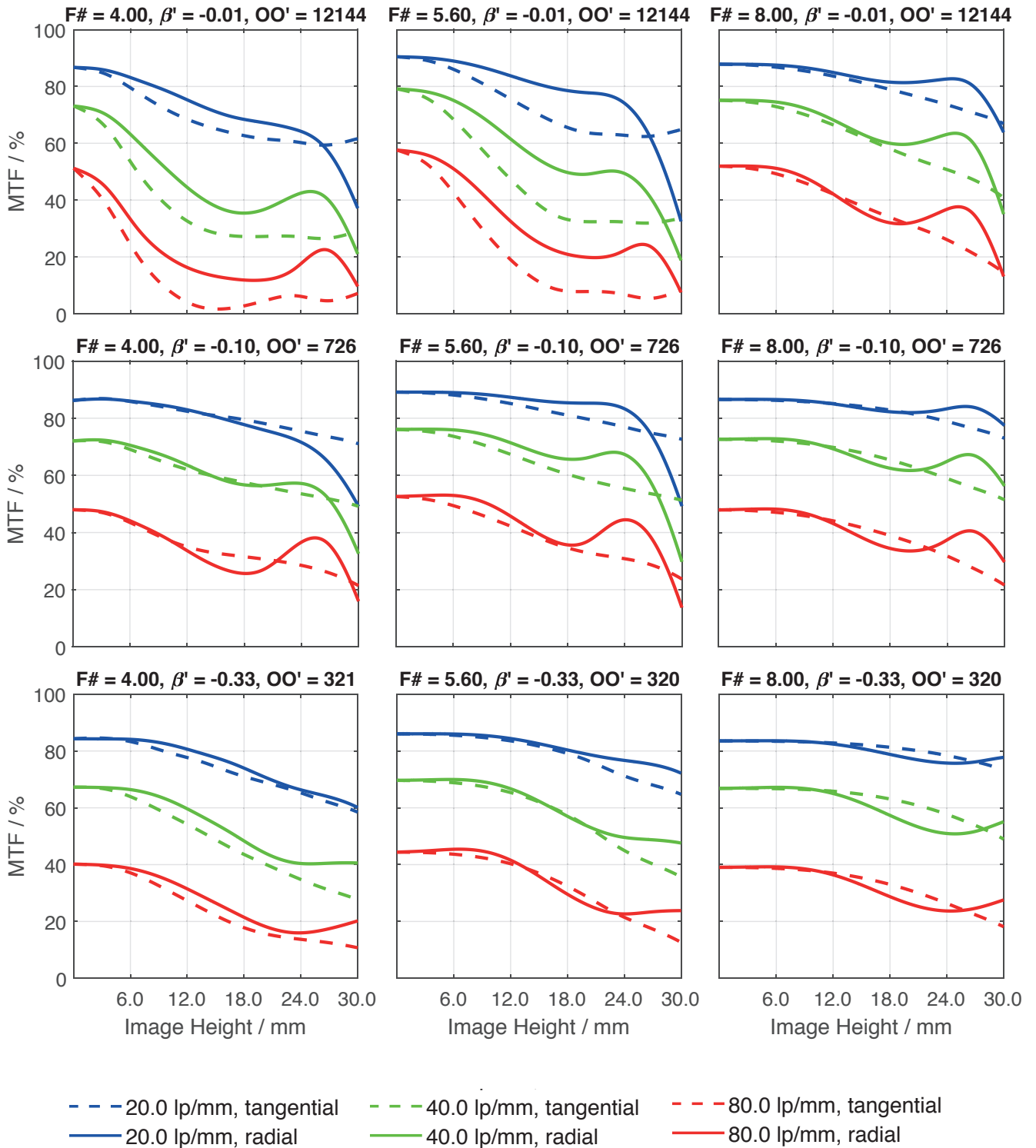


Relative Illumination vs. Image Height



Xenon-Emerald 4.0/60

Spectrum Name	VIS					
Wavelengths [nm]	425	475	525	575	625	675
Weights	8	16	23	22	19	13



Accessories	Mount	Length	ID
Adapter	V 48 / C-Mount	-	25081
	V 48 / M 42 x 1	-	1075817
	V 48 / M 42 x 0.75	-	1077013
	V 48 / M 58 x 0.75	-	1075556
Ext. Tube	V48	10 mm	1072661
	V48	25 mm	1072651
	V48	50 mm	1072662

Get more information

Contact our local offices



Headquarter Germany

Jos. Schneider Optische Werke GmbH
Ringstraße 132
55543 Bad Kreuznach
☎ +49 671 601 205
✉ cs@schneiderkreuznach.com
www.schneiderkreuznach.com

Offices Worldwide

China

☎ +86 755 8832 1170
✉ shawn.liu@schneider-asiapacific.com

North America

☎ +1 800 645 7239 (East Coast)
☎ +1 800 228 1254 (West Coast)
✉ info@schneideroptics.com

Singapore

☎ +65 9488 0062
✉ thongv@schneiderkreuznach.com