

M117FM35

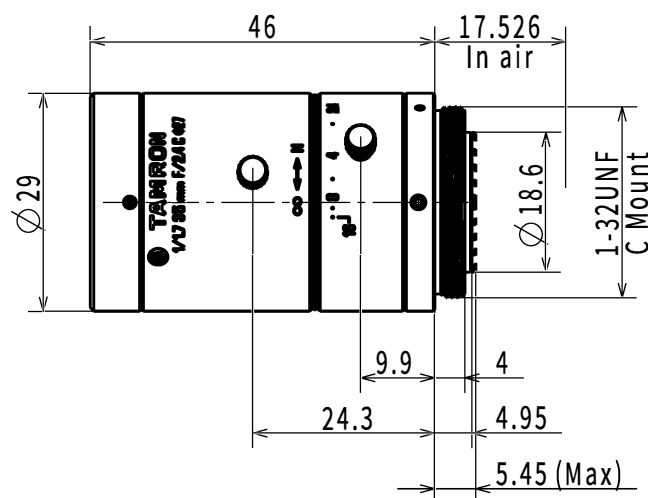
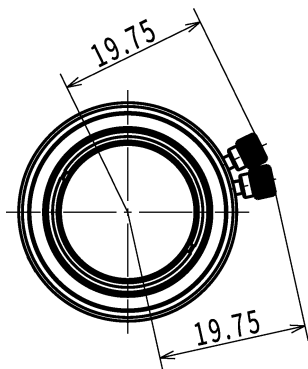
Imager Size		1/1.7"
Mount Type		C
Focal Length		35 mm
Aperture Range		F/2.4 ~ F/16
Field of View Angle (Horizontal x Vertical)	1/1.7"	12.6°×9.5°
	1/1.8"	12.4°×8.4°
	1/2"	10.8°×8.1°
	1/3"	8.1°×6.1°
Focus Range		0.1m ~ ∞ (Recommended Shooting Distance 0.3m)
Operation	Focus	Manual w/lock
	IRIS	Manual w/lock
Filter Size	フィルターネジ径	M27 P=0.5
Wave Length	対応波長	Visible Light
TV Distortion	歪曲	-0.06%(*)
Weight	質量	65g
Operating Temperature	動作温度範囲	-20°C ~ +60°C

Drawing

* 設計値/Design Value

Focus angle : 95.0 deg

IRIS angle : 67.9 deg



Specification and design subject to change without any notice.